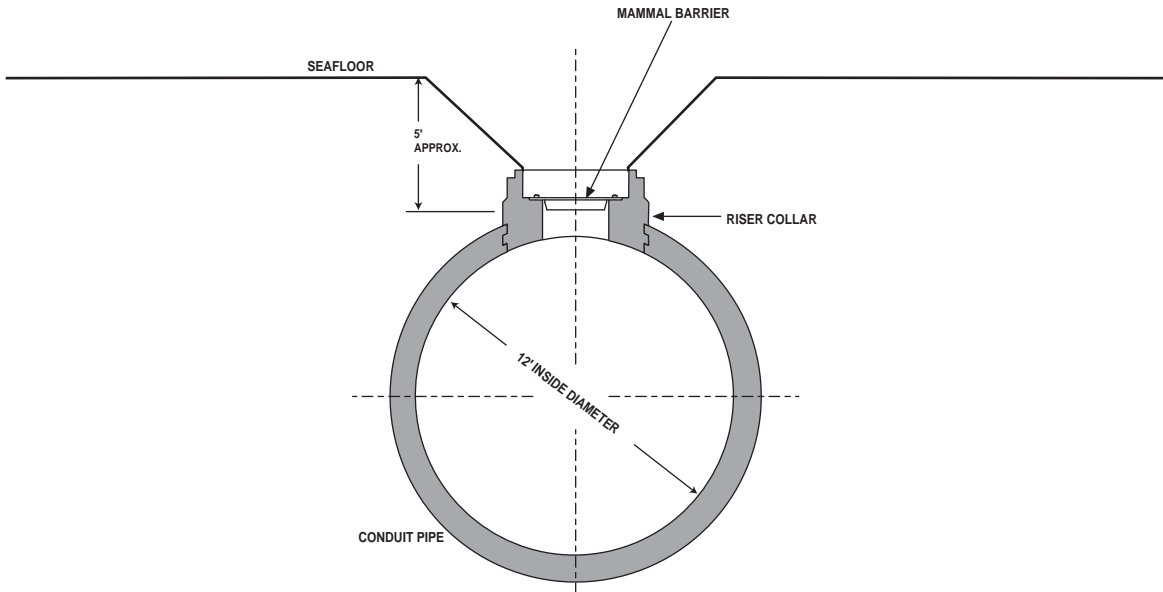


SECTIONAL VIEW
TYPICAL EXISTING RISER STRUCTURE



SECTIONAL VIEW
TYPICAL RISER STRUCTURE FINAL DISPOSITION



Figure 2-6
Manhole Risers