

MINUTE ITEM

This Calendar Item No. C18 was approved as Minute Item No. 18 by the California State Lands Commission by a vote of 3 to 0 at its 4-17-06 meeting.

CALENDAR ITEM
C18

A 4
S 1

04/17/06
PRC 2366.1
C. Connor

CONTINUATION OF RENT

LESSEE:

Tharsing Family Limited Partnership, A California Limited Partnership

AREA, LAND TYPE, AND LOCATION:

0.08 acres, more or less, of sovereign lands in Lake Tahoe, near Meeks Bay, El Dorado County.

AUTHORIZED USE:

Continued use and maintenance of an existing pier and two mooring buoys previously authorized by the Commission as shown on the attached Exhibit A.

LEASE TERM:

Ten years, beginning September 1, 2001.

CONSIDERATION:

This lease provides that Lessor may modify the rent periodically during the lease term. Pursuant to this provision, staff has conducted a review of the rent under this lease, and recommends that the rent be continued at \$406 per year, effective September 1, 2006.

OTHER PERTINENT INFORMATION:

1. Lessee does not qualify for a rent-free Recreational Pier Lease because Lessee does not own the littoral property as a natural person(s) pursuant to Public Resources Code section 6503.5
2. Pursuant to the Commission's delegation of authority and the State CEQA Guidelines [Title 14, California Code of Regulations, section 15060(c)(3)], the staff has determined that this activity is not subject to the provisions of the CEQA because it is not a "project" as defined by the CEQA and the State CEQA Guidelines.

CALENDAR ITEM NO. C18 (CONT'D)

EXHIBIT:

A. Location and Site Map

RECOMMENDED ACTION:

IT IS RECOMMENDED THAT THE COMMISSION:

CEQA FINDING:

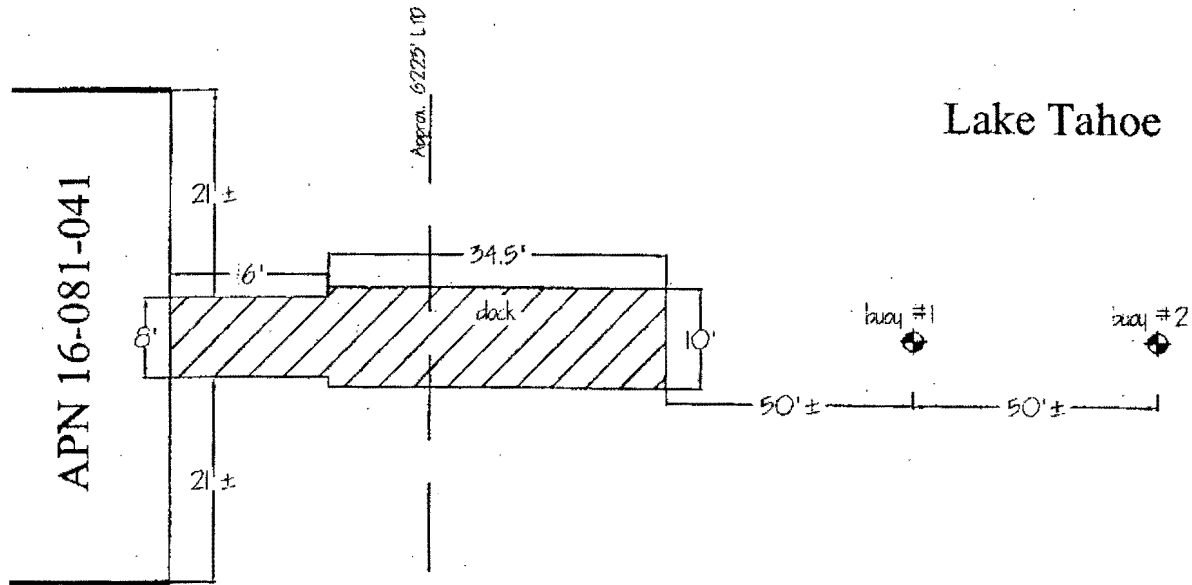
FIND THAT THE ACTIVITY IS NOT SUBJECT TO THE REQUIREMENTS OF THE CEQA PURSUANT TO TITLE 14, CALIFORNIA CODE OF REGULATIONS, SECTION 15060(c)(3) BECAUSE THE ACTIVITY IS NOT A PROJECT AS DEFINED BY PUBLIC RESOURCES CODE SECTION 21065 AND TITLE 14, CALIFORNIA CODE OF REGULATIONS, SECTION 15378.

AUTHORIZATION:

APPROVE THE CONTINUATION OF RENT FOR LEASE NO. PRC 2366.1 AT \$406 PER YEAR, EFFECTIVE SEPTEMBER 1, 2006.

NO SCALE

SITE MAP



Lake Tahoe

8341 Meeks Bay Ave

NO SCALE

LOCATION MAP

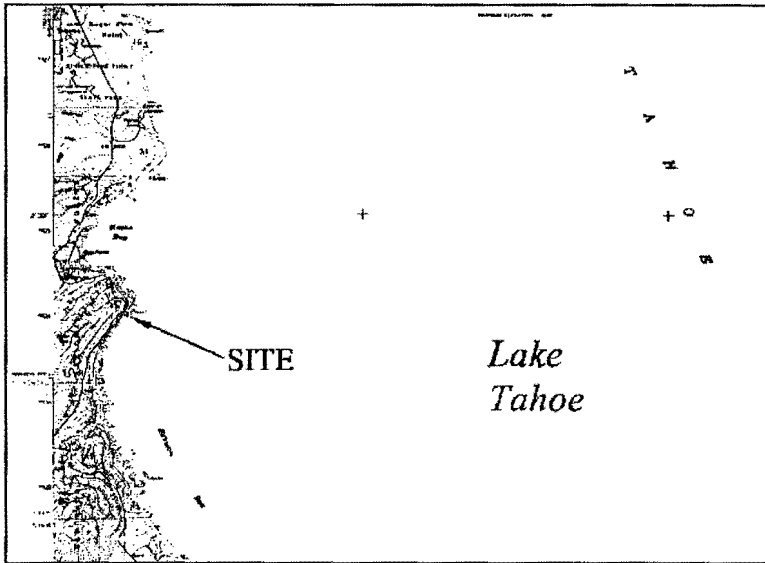
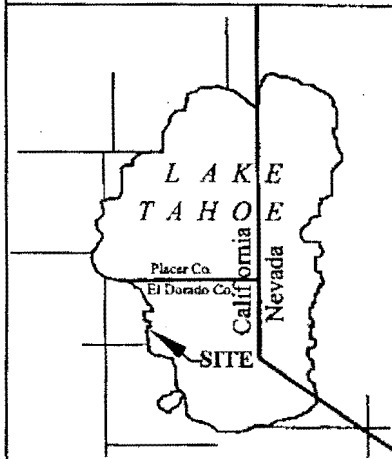


Exhibit A
 PRC 2366.1
 APN 016-081-041
 Lake Tahoe
 EL DORADO COUNTY



This Exhibit is solely for purposes of generally defining the lease premises, is based on unverified information provided by the lessee or other parties and is not intended to be, nor shall it be construed as, a waiver or limitation of any state interest in the subject or any other property.

000073

CALENDAR PAGE

000628

MINUTE PAGE