

**MINUTE ITEM**

This Calendar Item No. C26 was approved as Minute Item No. 26 by the California State Lands Commission by a vote of 3 to 0 at its 04-05-04 meeting.

**CALENDAR ITEM  
C26**

A	2,5		04/05/04
		PRC 8518.9	W 25963
S	4,6		N. Quesada

**RECREATIONAL PIER LEASE**

**APPLICANT:**

Patrick J. Waltz

**AREA, LAND TYPE, AND LOCATION:**

Sovereign lands in the Sacramento River, city of Sacramento, Sacramento County.

**AUTHORIZED USE:**

Construction, use, and maintenance of a new ramp, a floating boat dock, and pilings.

**LEASE TERM:**

Ten years, beginning April 5, 2004.

**CONSIDERATION:**

No monetary consideration pursuant to Public Resources Code section 6503.5.

**SPECIFIC LEASE PROVISIONS:**

Liability insurance in the amount of no less than \$300,000.

**OTHER PERTINENT INFORMATION:**

1. The Applicant owns the uplands adjoining the lease premises.
2. Applicant qualifies for a Recreational Pier Lease because he is a natural person who has improved the littoral land with, and uses the upland for, a single-family dwelling. The Applicant is proposing to construct a ramp measuring 4 feet by 50 feet, a floating boat dock measuring 10 feet by 30 feet, and to install new pilings.

CALENDAR ITEM NO. C26 (CONT'D)

3. Pursuant to the Commission's delegation of authority and the State CEQA Guidelines (Title 14, California Code of Regulations, section 15061), the staff has determined that this activity is exempt from the requirements of the CEQA as a categorically exempt project. The project is exempt under Class 3, New Construction of Small Structures; Title 2, California Code of Regulations, section 2905 (c)(1).

Authority: Public Resources Code section 21084 and Title 14, California Code of Regulations, section 15300 and Title 2, California Code of Regulations, section 2905.

4. This activity involves lands identified as possessing significant environmental values pursuant to Public Resources Code sections 6370, et seq. Based upon the staff's consultation with the persons nominating such lands and through the CEQA review process, it is the staff's opinion that the project, as proposed, is consistent with its use classification.

**APPROVALS OBTAINED:**

California Department of Fish and Game

**FURTHER APPROVALS REQUIRED:**

U.S. Army Corps of Engineers, Department of Water Resources

**EXHIBIT:**

- A. Site Map and Location Map

**PERMIT STREAMLINING ACT DEADLINE:**

May 14, 2004

**RECOMMENDED ACTION:**

IT IS RECOMMENDED THAT THE COMMISSION:

**CEQA FINDING:**

FIND THAT THE ACTIVITY IS EXEMPT FROM THE REQUIREMENTS OF THE CEQA PURSUANT TO TITLE 14, CALIFORNIA CODE OF REGULATIONS, SECTION 15061 AS A CATEGORICALLY EXEMPT PROJECT, CLASS 3, NEW CONSTRUCTION OF SMALL STRUCTURES; TITLE 2, CALIFORNIA CODE OF REGULATIONS, SECTION 2905 (c)(1).

CALENDAR ITEM NO. C26 (CONT'D)

**SIGNIFICANT LANDS INVENTORY FINDING:**

FIND THAT THIS ACTIVITY IS CONSISTENT WITH THE USE CLASSIFICATION DESIGNATED BY THE COMMISSION FOR THE LAND PURSUANT TO PUBLIC RESOURCES CODE SECTIONS 6370, ET SEQ.

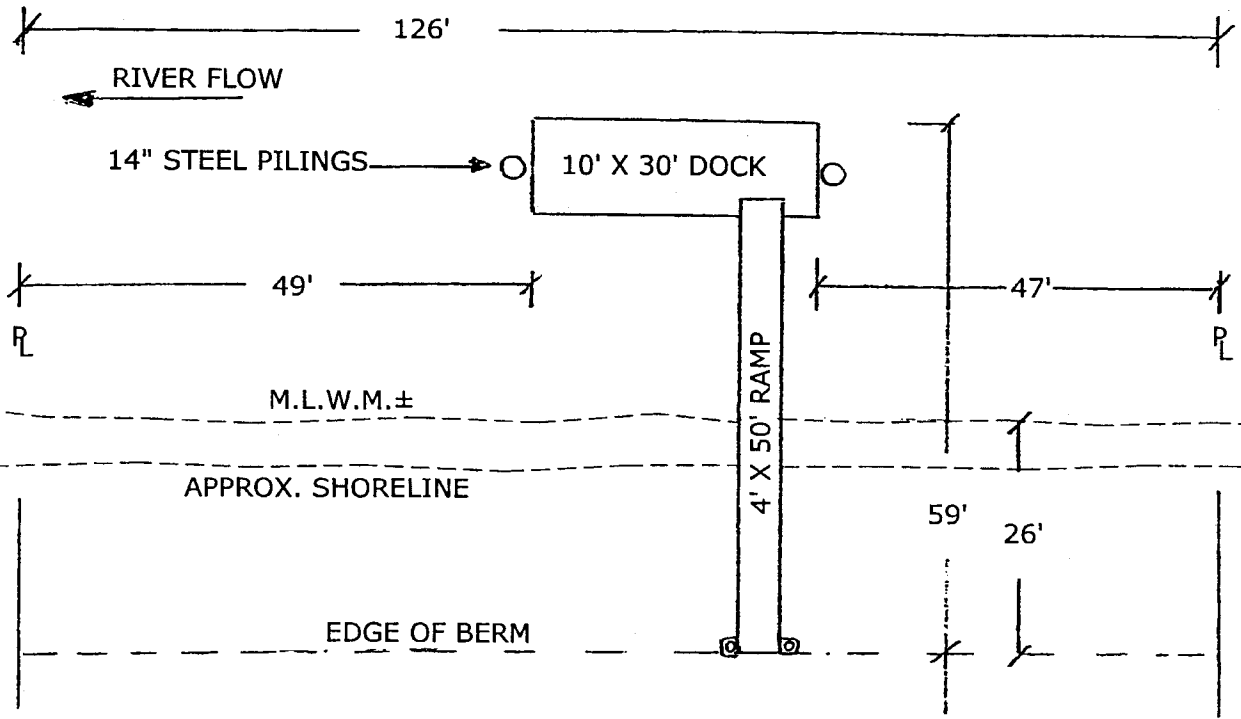
**AUTHORIZATION:**

AUTHORIZE ISSUANCE TO PATRICK J. WALTZ OF A TEN-YEAR RECREATIONAL PIER LEASE, BEGINNING APRIL 5, 2004, FOR THE CONSTRUCTION, USE, AND MAINTENANCE OF A NEW RAMP, A FLOATING BOAT DOCK, AND PILINGS ON THE LAND SHOWN ON EXHIBIT A ATTACHED AND BY THIS REFERENCE MADE A PART HEREOF; NO MONETARY CONSIDERATION PURSUANT TO PUBLIC RESOURCES CODE SECTION 6503.5; LIABILITY INSURANCE IN THE AMOUNT OF NO LESS THAN \$300,000.

NO SCALE

# SITE

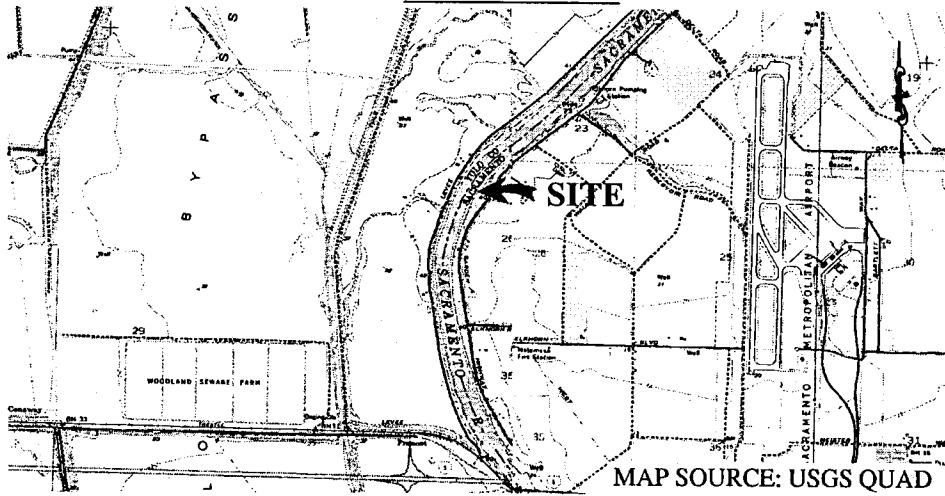
SACRAMENTO RIVER



6991 GARDEN HIGHWAY, SACRAMENTO

NO SCALE

# LOCATION



MAP SOURCE: USGS QUAD

## Exhibit A

W 25963  
 PATRICK WALTZ  
 APN 201-0260-039  
 RECREATIONAL PIER LEASE  
 SACRAMENTO CO.



MJ 03 / 04

This Exhibit is solely for purposes of generally defining the lease premises, is based on unverified information provided by the Lessee or other parties and is not intended to be, nor shall it be construed as, a waiver or limitation of any State interest in the subject or any other property.

000127

CALENDAR PAGE

000448

MINUTE PAGE