

MINUTE ITEM  
This Calendar Item No. C08  
was approved as Minute Item  
No. 08 by the State Lands  
Commission by a vote of 3  
to 0 at its 2-5-01  
meeting.

**CALENDAR ITEM  
C08**

A 8  
S 4

02/05/01  
WP 5954.1  
L. Burks

**GENERAL LEASE - RECREATIONAL USE**

**APPLICANTS:**

Peterson Family Partnership, a California  
General Partnership  
P. O. Box 3552  
Saratoga, California 95070-1552

**AREA, LAND TYPE, AND LOCATION:**

0.02 acres, more or less, of tide and submerged lands in Steamboat Slough, at  
Martin's Island, Solano County.

**AUTHORIZED USE:**

Continued use and maintenance of an existing single-berth covered boatshed  
and walkway.

**LEASE TERM:**

Ten years, beginning January 15, 2001.

**CONSIDERATION:**

\$93 per year; with the State reserving the right to fix a different rent periodically  
during the lease term, as provided in the lease.

**SPECIFIC LEASE PROVISIONS:**

Liability insurance: Combined single limit coverage of \$500,000.

**OTHER PERTINENT INFORMATION:**

1. On November 15, 1994, the Commission authorized a General Lease -  
Recreational Use with Madeline Peterson-Laughton. That lease expired  
on January 14, 2001.

CALENDAR ITEM NO. C08 (CONT'D)

2. On December 22, 1994, Madeline Peterson-Laughton deeded her property to the Peterson Family Partnership. The Peterson Family Partnership is now applying for a new General Lease - Recreational Use.
3. The applicants have received permission to access the lease facilities from Frank Vargas, the littoral landowner.
4. Pursuant to the Commission's delegation of authority and the State CEQA Guidelines (Title 14, California Code of Regulations, section 15061), the staff has determined that this activity is exempt from the requirements of the CEQA as a categorically exempt project. The project is exempt under Class 1, Existing Facilities; Title 2, California Code of Regulations, section 2905 (a)(2).

Authority: Public Resources Code section 21084 and Title 14, California Code of Regulations, section 15300 and Title 2, California Code of Regulations, section 2905.

5. This activity involves lands identified as possessing significant environmental values pursuant to Public Resources Code sections 6370, et seq. Based upon the staff's consultation with the persons nominating such lands and through the CEQA review process, it is the staff's opinion that the project, as proposed, is consistent with its use classification.

**EXHIBITS:**

- A. Site Plan
- B. Location Map

**PERMIT STREAMLINING ACT DEADLINE:**

N/A

**RECOMMENDED ACTION:**

IT IS RECOMMENDED THAT THE COMMISSION:

**CEQA FINDING:**

FIND THAT THE ACTIVITY IS EXEMPT FROM THE REQUIREMENTS OF THE CEQA PURSUANT TO TITLE 14, CALIFORNIA CODE OF REGULATIONS, SECTION 15061 AS A CATEGORICALLY EXEMPT PROJECT, CLASS 1, EXISTING FACILITIES; TITLE 2, CALIFORNIA CODE OF REGULATIONS, SECTION 2905 (a)(2).

CALENDAR ITEM NO. C08 (CONT'D)

**SIGNIFICANT LANDS INVENTORY FINDING:**

FIND THAT THIS ACTIVITY IS CONSISTENT WITH THE USE CLASSIFICATION DESIGNATED BY THE COMMISSION FOR THE LAND PURSUANT TO PUBLIC RESOURCES CODE SECTIONS 6370, ET SEQ.

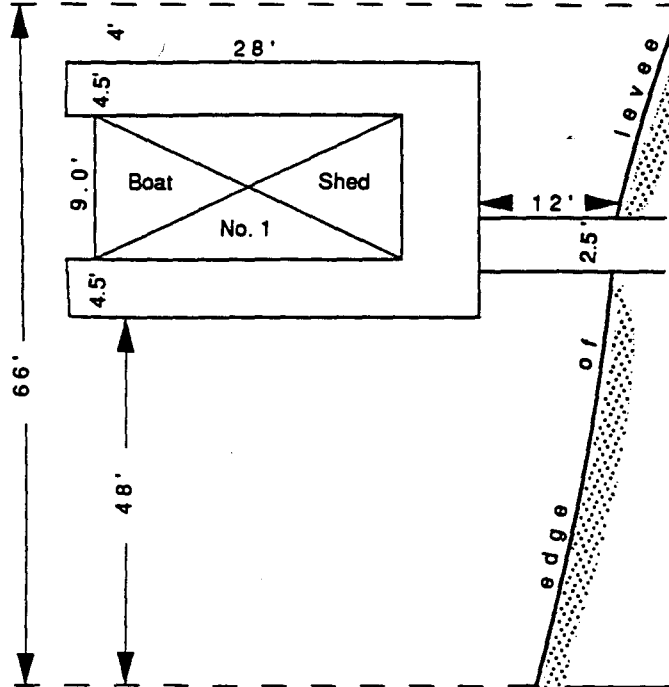
**AUTHORIZATION:**

AUTHORIZE ISSUANCE TO THE PETERSON FAMILY PARTNERSHIP, A CALIFORNIA GENERAL PARTNERSHIP OF A GENERAL LEASE - RECREATIONAL USE, BEGINNING JANUARY 15, 2001, FOR A TERM OF TEN YEARS, FOR CONTINUED USE AND MAINTENANCE OF AN EXISTING SINGLE-BERTH COVERED BOATSHED AND WALKWAY ON THE LAND SHOWN ON EXHIBIT A ATTACHED AND BY THIS REFERENCE MADE A PART HEREOF; ANNUAL RENT IN THE AMOUNT OF \$93, WITH THE STATE RESERVING THE RIGHT TO FIX A DIFFERENT RENT PERIODICALLY DURING THE LEASE TERM, AS PROVIDED IN THE LEASE; LIABILITY INSURANCE FOR COMBINED SINGLE LIMIT COVERAGE OF \$500,000.

*Slough*



APN 48 - 270 - 001



*levee*

APN 48 - 270 - 002

*edge of*

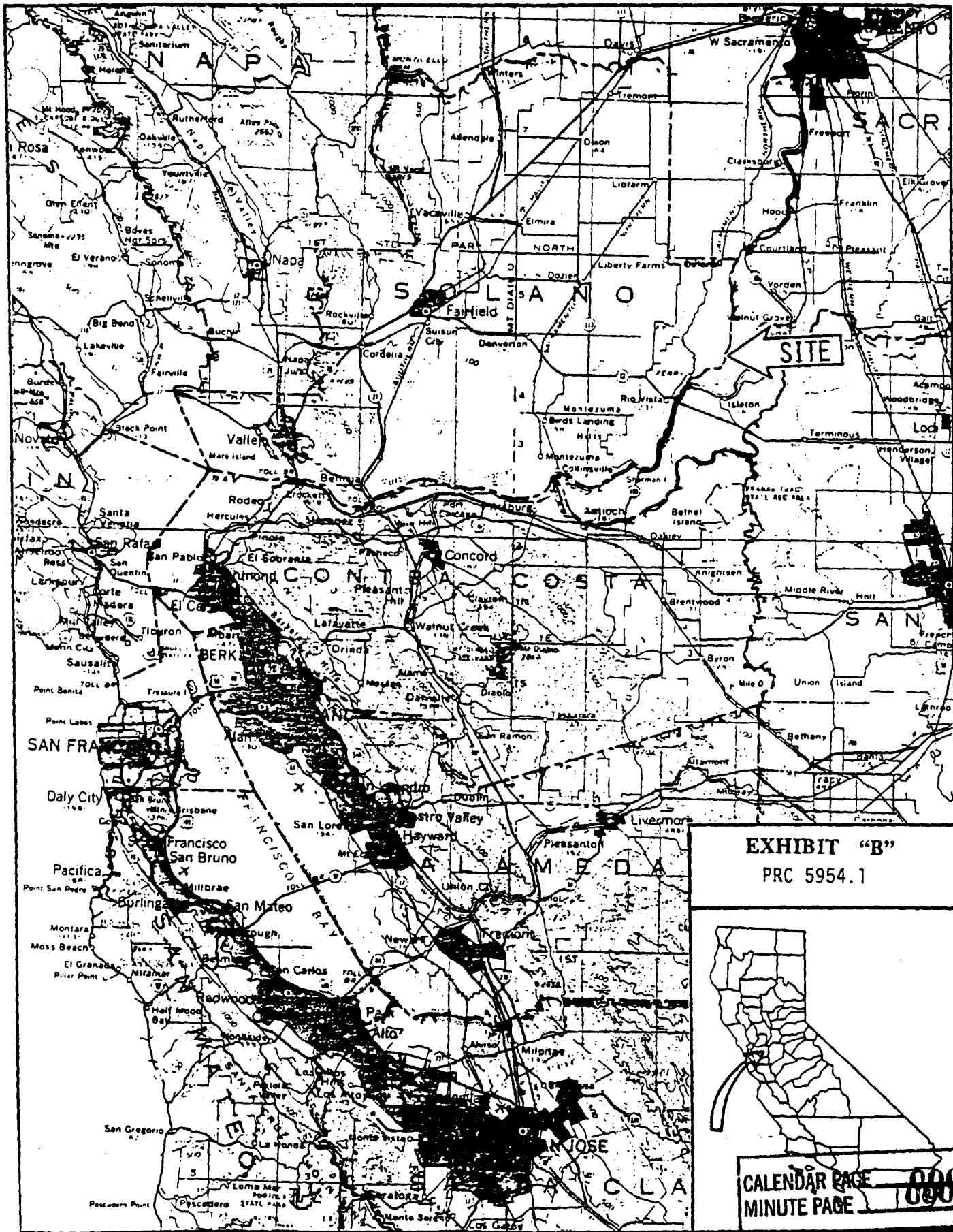
APN 48 - 270 - 003

*Steamboat*

EXHIBIT "A"  
PRC 5954.1



CALENDAR PAGE	000042
MINUTE PAGE	000020



**EXHIBIT "B"**  
 PRC 5954.1



CALENDAR PAGE **000043**  
 MINUTE PAGE **000070**