

MINUTE ITEM

This Calendar Item No. C35 was approved as
Minute Item No. 35 by the California State Lands
Commission by a vote of 3 to 0 at its
6-14-99 meeting.

**CALENDAR ITEM
C35**

A 4
S 1

06/14/99
PRC 5559.9
J. Ludlow

RECREATIONAL PIER LEASE

APPLICANTS:

D.E. Tobie and Dorothy R. Tobie
1325 Villa Drive
Los Altos, California 94024

AREA, LAND TYPE, AND LOCATION:

Sovereign lands in Lake Tahoe, Rubicon Bay, El Dorado County.

AUTHORIZED USE:

Continued use and maintenance of a pier and mooring buoy, as shown on the
attached Exhibit A.

LEASE TERM:

Ten years, beginning September 27, 1998.

CONSIDERATION:

No monetary consideration pursuant to Public Resources Code section 6503.5.

SPECIFIC LEASE PROVISIONS:

Liability insurance in the amount of no less than \$300,000.

OTHER PERTINENT INFORMATION:

1. Pursuant to the Commission's delegation of authority and the State CEQA Guidelines (Title 14, California Code of Regulations, section 15061), the staff has determined that this activity is exempt from the requirements of the CEQA as a categorically exempt project. The project is exempt under Class 1, Existing Facilities; Title 2, California Code of Regulations, section 2905 (a)(2).

Authority: Public Resources Code section 21084 and Title 14, California Code of Regulations, section 15300 and Title 2, California Code of Regulations, section 2905.

CALENDAR PAGE	000163
MINUTE PAGE	005655

CALENDAR ITEM NO. C35 (CONT'D)

2. This activity involves lands identified as possessing significant environmental values pursuant to Public Resources Code sections 6370, et seq. Based upon the staff's consultation with the persons nominating such lands and through the CEQA review process, it is the staff's opinion that the project, as proposed, is consistent with its use classification.

EXHIBIT:

- A. Site and Location Map

PERMIT STREAMLINING ACT DEADLINE:

N/A

RECOMMENDED ACTION:

IT IS RECOMMENDED THAT THE COMMISSION:

CEQA FINDING:

FIND THAT THE ACTIVITY IS EXEMPT FROM THE REQUIREMENTS OF THE CEQA PURSUANT TO TITLE 14, CALIFORNIA CODE OF REGULATIONS, SECTION 15061 AS A CATEGORICALLY EXEMPT PROJECT, CLASS 1, EXISTING FACILITIES; TITLE 2, CALIFORNIA CODE OF REGULATIONS, SECTION 2905 (a)(2).

SIGNIFICANT LANDS INVENTORY FINDING:

FIND THAT THIS ACTIVITY IS CONSISTENT WITH THE USE CLASSIFICATION DESIGNATED BY THE COMMISSION FOR THE LAND PURSUANT TO PUBLIC RESOURCES CODE SECTIONS 6370, ET SEQ.

AUTHORIZATION:

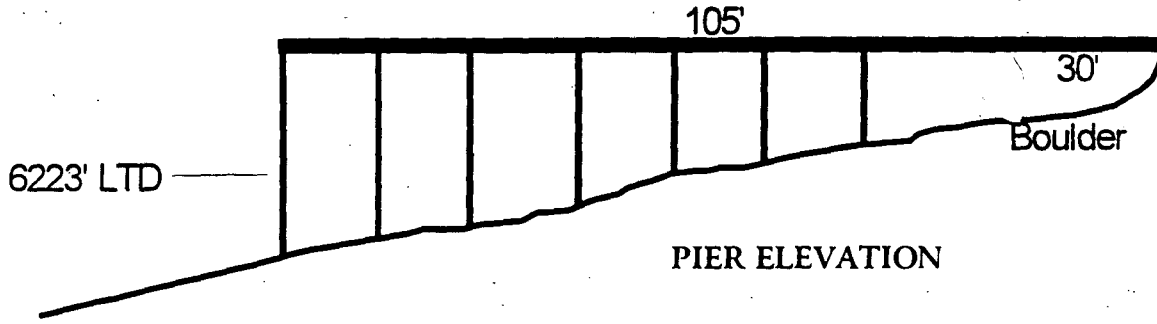
AUTHORIZE ISSUANCE TO D.E. TOBIE AND DOROTHY R. TOBIE OF A TEN-YEAR RECREATIONAL PIER LEASE, BEGINNING SEPTEMBER 27, 1998, FOR CONTINUED USE AND MAINTENANCE OF A PIER AND MOORING BUOY ON THE LAND SHOWN ON EXHIBIT A ATTACHED AND BY THIS REFERENCE MADE A PART HEREOF; NO MONETARY CONSIDERATION PURSUANT TO PUBLIC RESOURCES CODE SECTION 6503.5; LIABILITY INSURANCE IN THE AMOUNT OF NO LESS THAN \$300,000.

CALENDAR PAGE	000164
MINUTE PAGE	005656

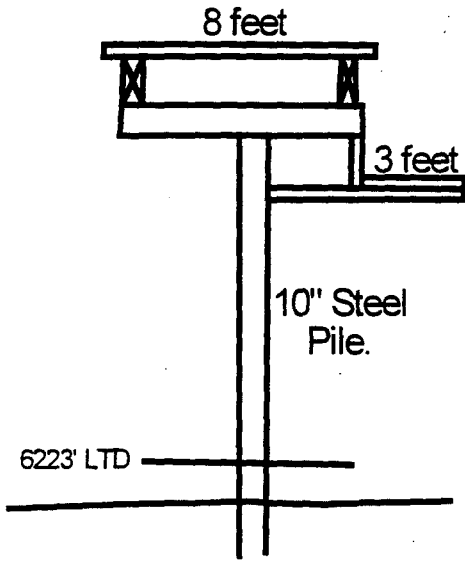
NO SCALE

SITE MAP

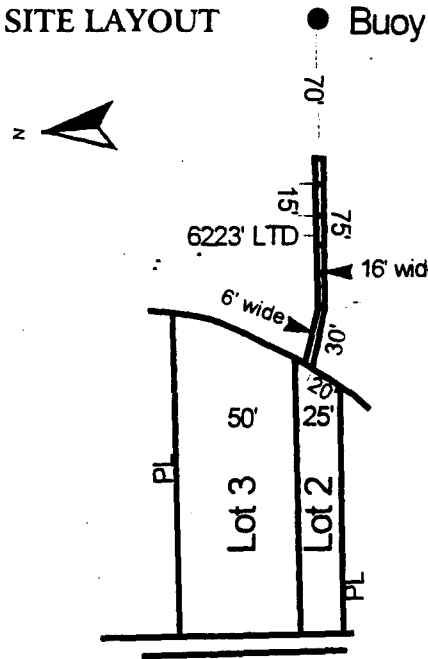
8569 Meeks Bay Ave.



PIER TYPICAL SECTION



SITE LAYOUT



NO SCALE

LOCATION MAP

Lake Tahoe

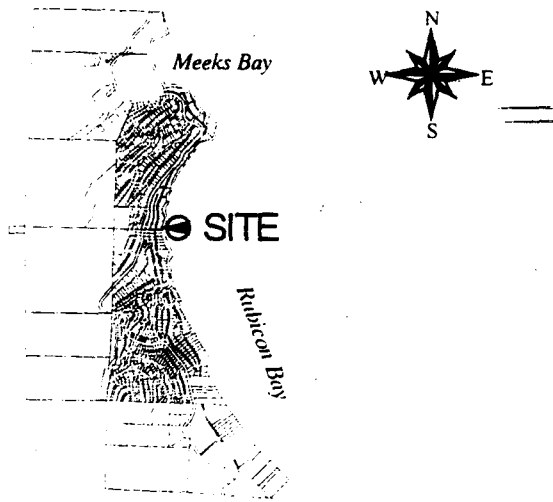
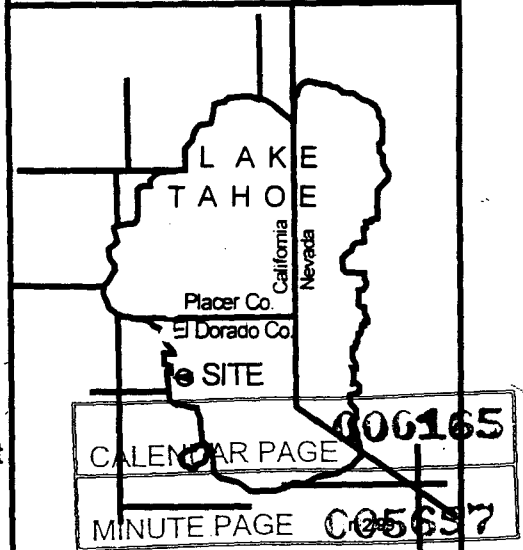


Exhibit A
 PRC 5559
 APN 016-101-131
 Lake Tahoe
 EL DORADO COUNTY



This Exhibit is solely for purposes of generally defining the lease premises, and is not intended to be, nor shall it be construed as, a waiver of limitation of any state interest in the subject or any other property.